

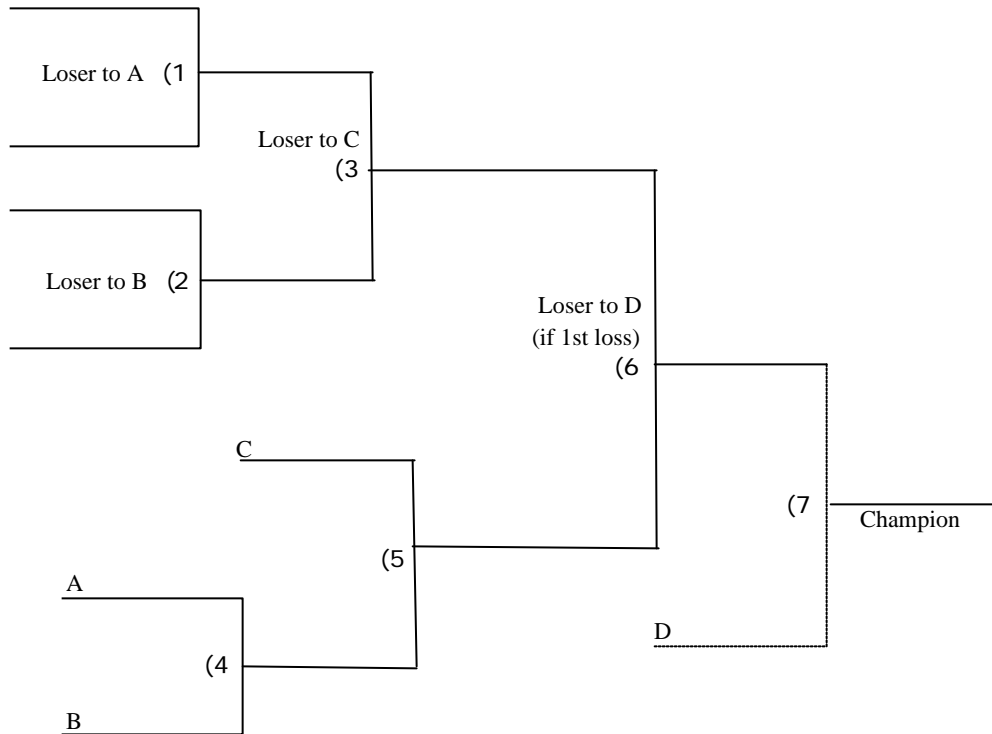
Four Teams

Division: _____

Site(s): _____

Update phone: _____

Next level: _____



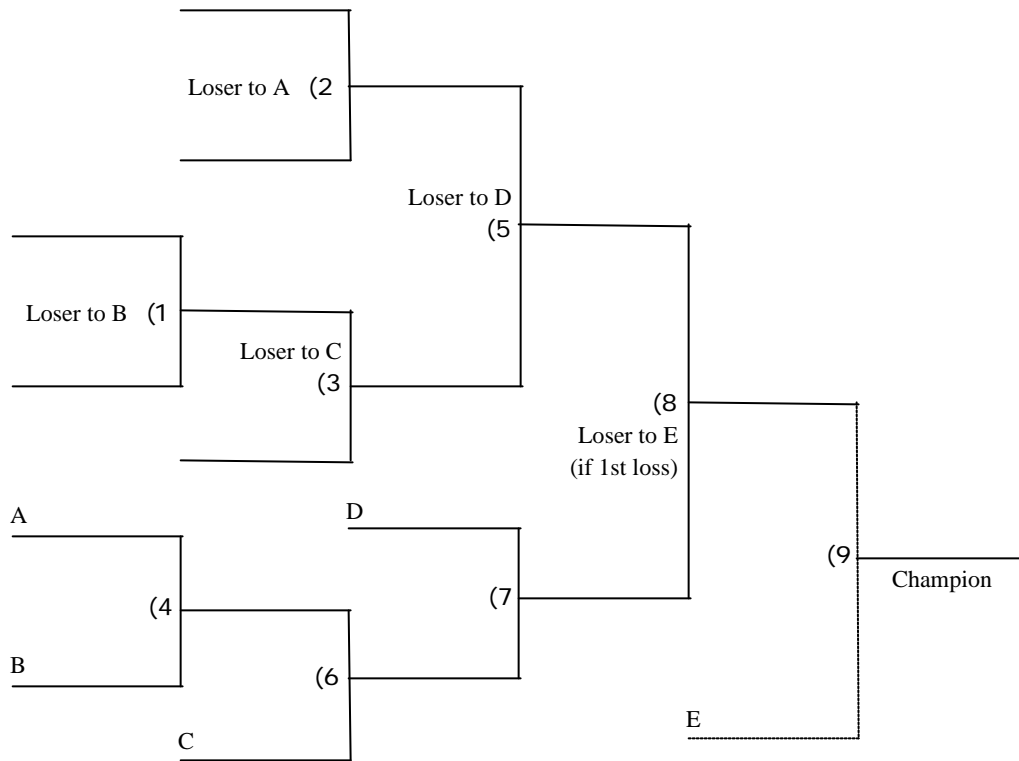
Five Teams

Division: _____

Site(s): _____

Update phone: _____

Next level: _____



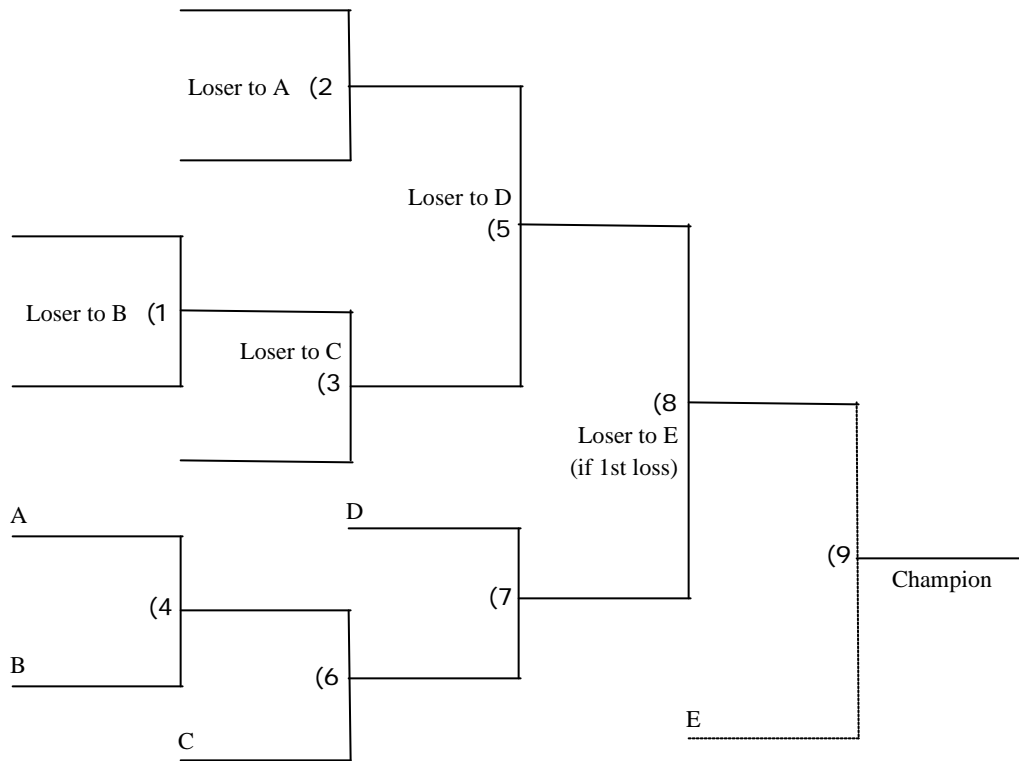
Five Teams

Division: _____

Site(s): _____

Update phone: _____

Next level: _____



Eight Teams

Division: _____

Site(s): _____

Update phone: _____

Next level: _____

